

USER MANUAL DIPA / DIPA600

MODEL: DT 611/DT 610

General features

- Power supply 230 Volts mono phased + ground rod
- Power 350 watts
- Fuse 2 Amp 5 x 20
- Max width of the roll 600 mm
- Dimensions Long = 650 Larg = 680 Height = 150 mm
- Weight Net = 11 Kilos Brut = 14 Kilos

Start up

- Connection to a 230 Volt mono socket (16 Amp)
- Press the switch, this one lights up.
- Heating time: about 15 minutes

Test

- Put the roll in place according to the drawing
- Unroll the film
- Put a tray on the inox tray
- Wrap it, passing the film on the top and engage it under the underside
- Pull the everthing towards you to cut the film on the edge of the hotplat
- Place the tray on the draw plate and pull the exess film from each side, then fold it under the underside. Seal the tray by placing the same face on the horizontal heating plate for a few seconds.

Maintenance

- Daily cleaning is necessary
- Clean with a slitly damp cloth
- Do not use abrasives to clean the teflon coating

In case of failure

- Check that the switch is live
- Check the condition of the fuse and if necessary, replace it
- Contact the after sales service of your supplier



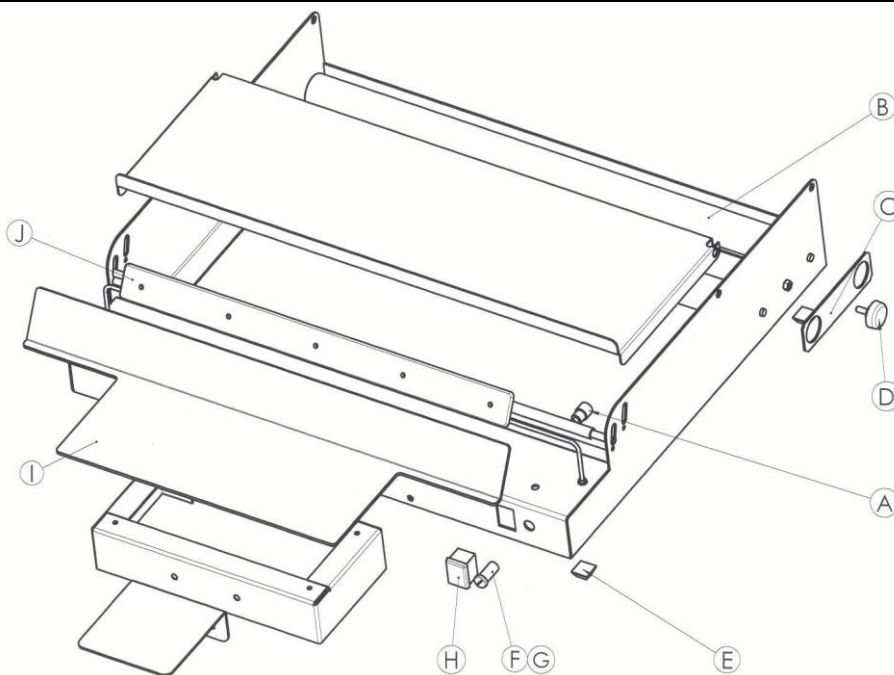
ATTENTION



**RISK OF BURNS WITH THE HEATING PLATE
THAT HEATED PERMANENTLY**

Spare part list

REP	Code	Description	Qty
A	EL-1772	Power cord, moulded plug – lg 2.5 m – 3 x 0.75	1
B	FI-1718	PVC roll	2
C	TO-0016	Brake slab	1
D	FI-1372	Clamping wheel	1
E	FI-1306	Adhesive leg	4
F	EL-1404	Temporized fuse 5 x 20, 2 amp (x 10)	1
G	EL-1403	Fuse holder 5 x 20	1
H	EI-1512	2-way switch 22 x 30	1
I	TO-1815	Teflon heating plate	1
J	EL-1717	Resistor 350 W	1



Electricla diagram

